

SECTION KEYNOTES

- BLOWN IN R-38 INSULATION - MAINTAIN 6" MAX DISTANCE FROM BOTTOM OF RIGID DECK INSULATION AT FLAT ROOF -
 1A: OPTION - CONTRACTOR MAY USE R-38 BATT INSULATION AT PARAPET LOCATIONS IF DESIRED
 1B: USE HIGH PERFORMANCE 10" R-38 WHERE HALLWAY LIMITS SPACE FOR BLOWN IN
- R-19 INSULATION TYPICAL AT ALL EXTERIOR WALLS - INSTALL VAPOR RETARDER AT INTERIOR FACE, INSTALL WEATHER BARRIER (VAPOR BARRIER) AT EXTERIOR WALL FACE
- FOUNDATION PER STRUCTURAL, INSTALL 2" RIGID INSULATION AT INTERIOR FACE OF STEM WALL; FOUNDATION AS SHOWN ON ARCHITECTURAL IS REPRESENTATIVE AND FULLY SUPERSEDED BY STRUCTURAL FOUNDATION PLANS
- CONCRETE SLAB - DEPTH VARIES OVER COMPACTION PER GEOTECH REPORT - INSTALL 6 MIL VAPOR BARRIER BELOW SLAB
- CONTINUOUS RIDGE VENT AT TYPICAL HIP & RIDGE ROOF
- INSTALL STATIC VENTS AT FLAT ROOF PER ROOF PLAN
- INSTALL SIDE WALL VENTS - SEE DETAIL (3/A7.2)
- SUSPENDED GYP CEILING - SEE DETAIL (1/A6.1)
- SUSPENDED ACT CEILING - SEE DETAIL (1/A6.1)
- ROOF ACCESS HATCH - BY OWNER - BASIS OF DESIGN BILCO TYPE NB SHIP STAIR ACCESS HATCH
- 1-HOUR RATED FLOOR ASSEMBLY - (SEE DETAIL 8/A8.2)
- 1-HOUR RATED ROOF / CEILING ASSEMBLY - (SEE DETAIL 9/A8.2)
- ROOF DRAIN - 8" SCREEN, 4" DRAIN
- TOP OF GRADE 6" MIN BELOW T.O.F. - SLOPE MIN. 2% AWAY FROM BUILDING
- 7/8" STUCCO SOFFIT / 7/16" PLYWOOD SHEATHING / 2X8 SOFFIT RAFTERS SPACED AT 24" O.C.

GENERAL SECTION NOTES

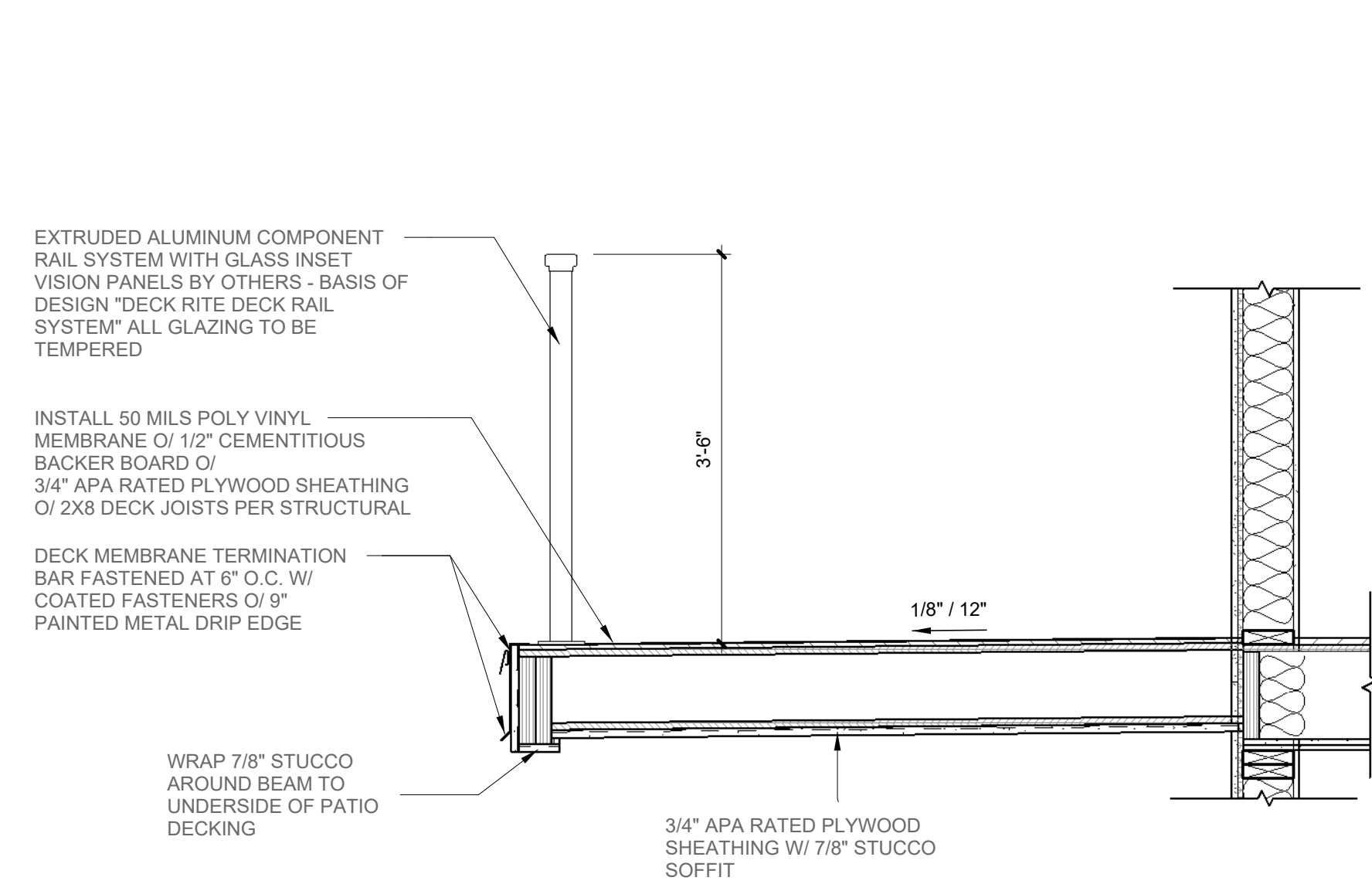
- REFER TO A8.1 FOR TYPICAL BEAM AND COLUMN FIRE PROTECTION FEATURES
- TRUSS CONFIGURATION BY MANUFACTURER; FOR ARCHITECTURAL PURPOSES ONLY OUTSIDE PROFILE SHOWN

REVISIONS

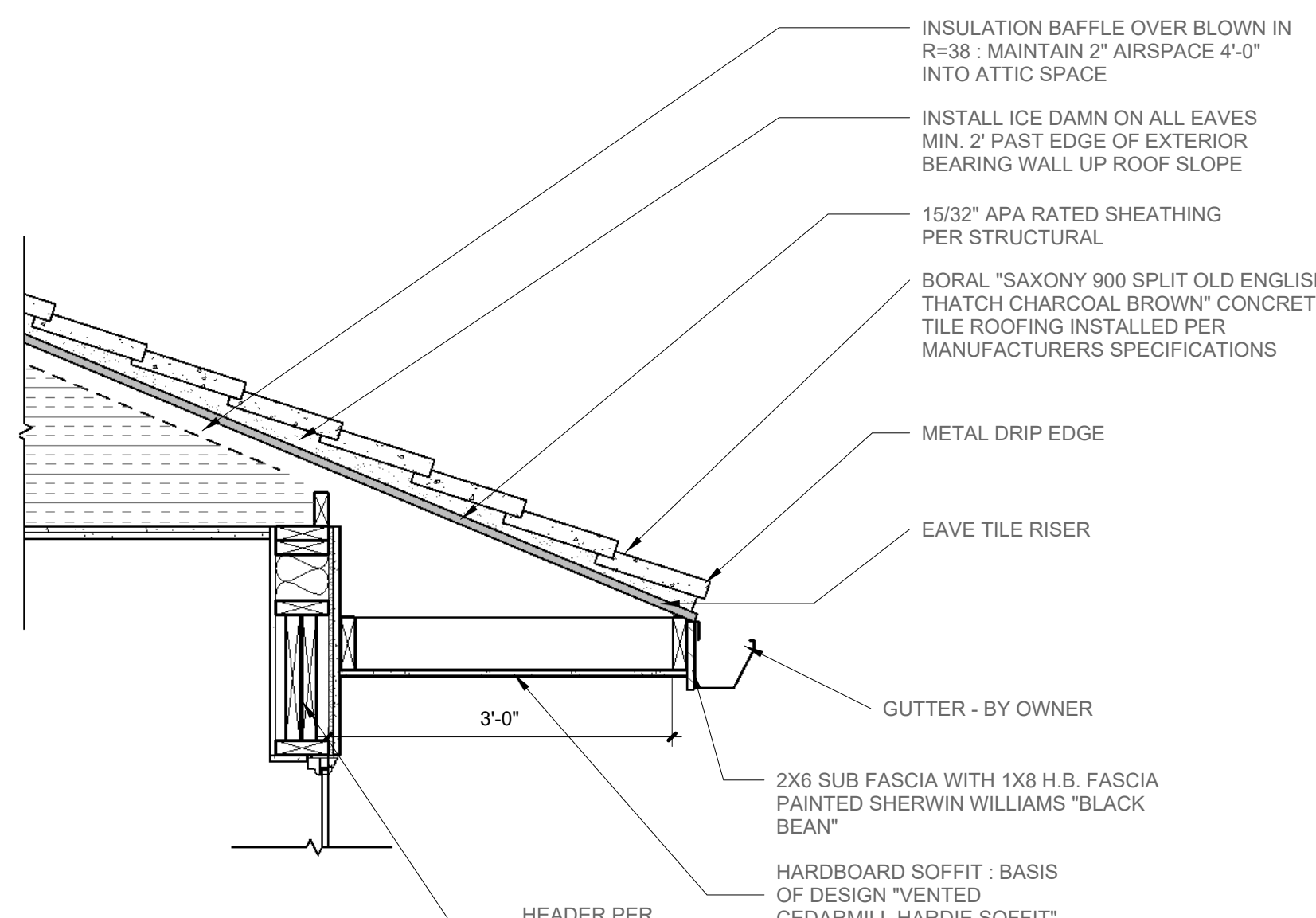
#	DATE	DESCRIPTION

DRA PLLC
 1014 S. LeBoeuf St
 Boise, ID 83702
 208 243 5511
 www.dresearch.com
 administrator@drresearch.com

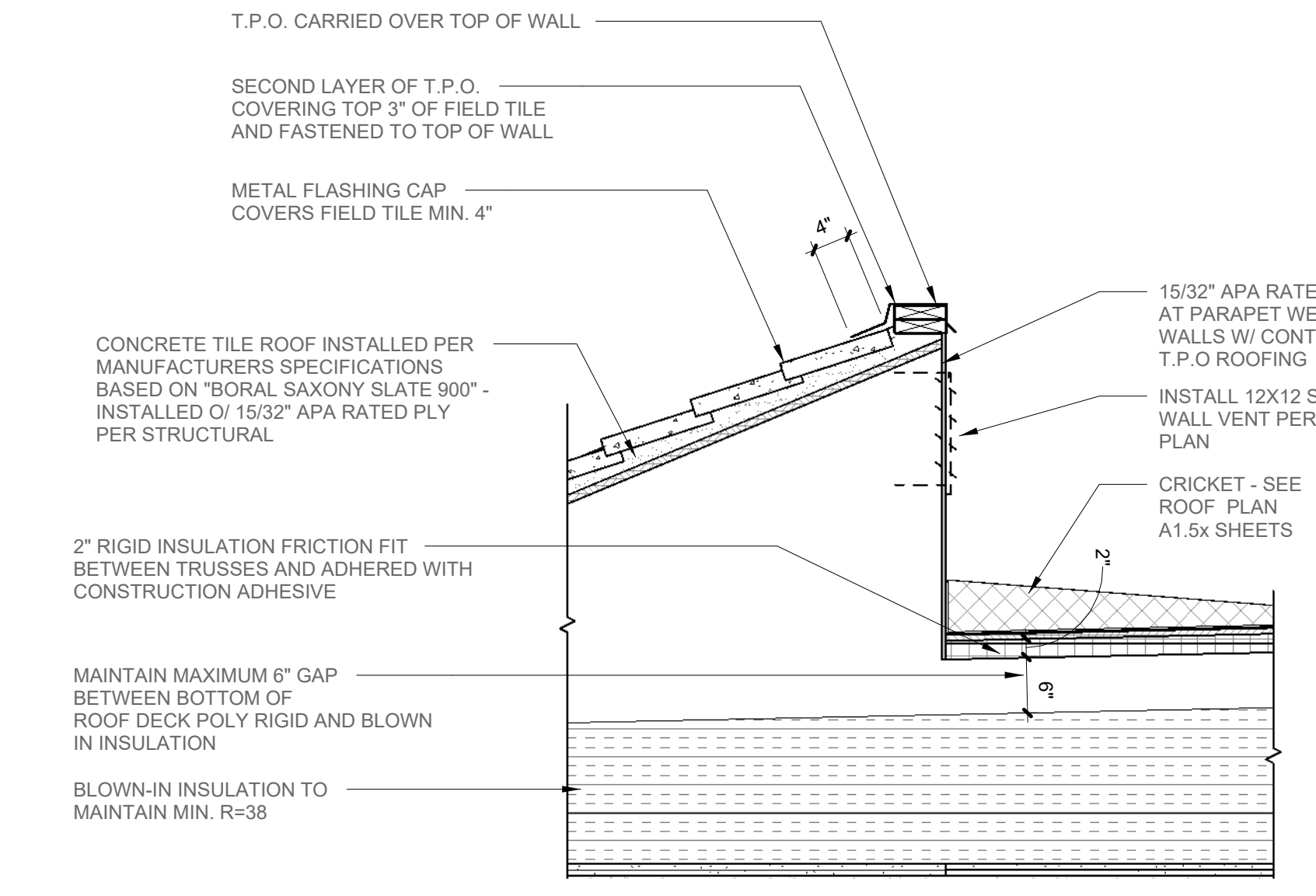
DBA DESIGN RESOURCES ARCHITECTS PLLC



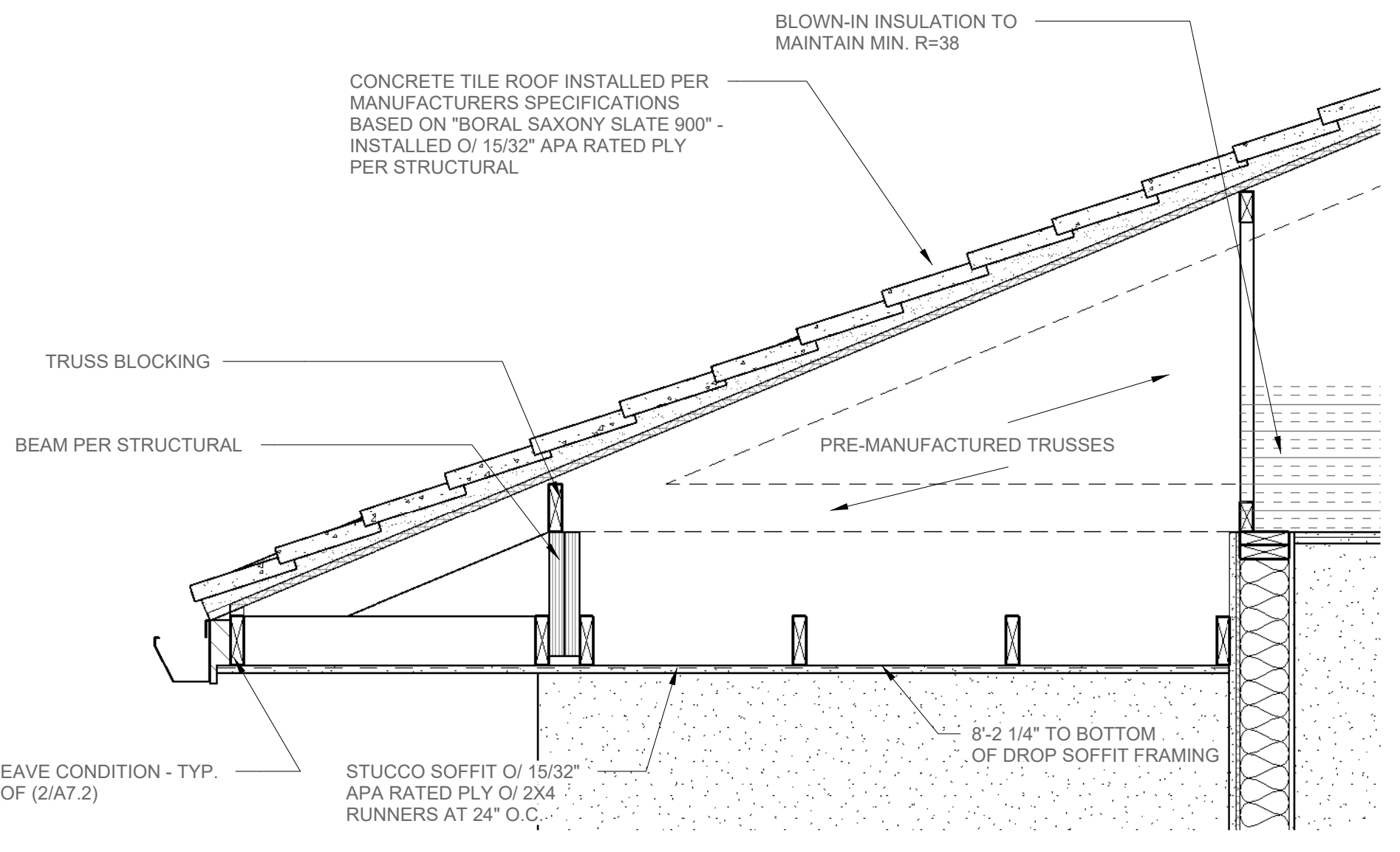
1 PATIO DETAIL
 A7.2 3/4" = 1'-0"



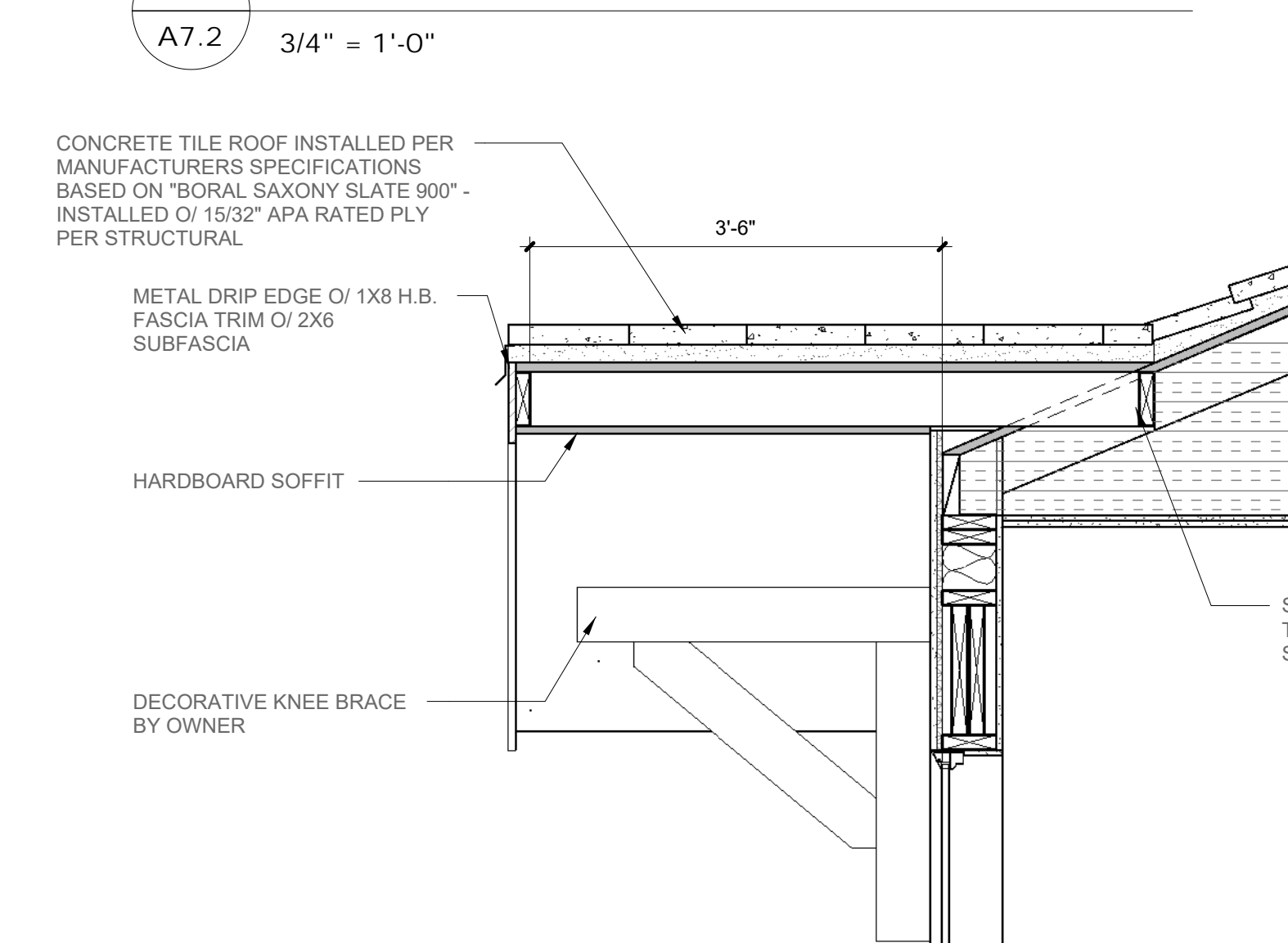
2 TYPICAL EAVE (I.L.)
 A7.2 3/4" = 1'-0"



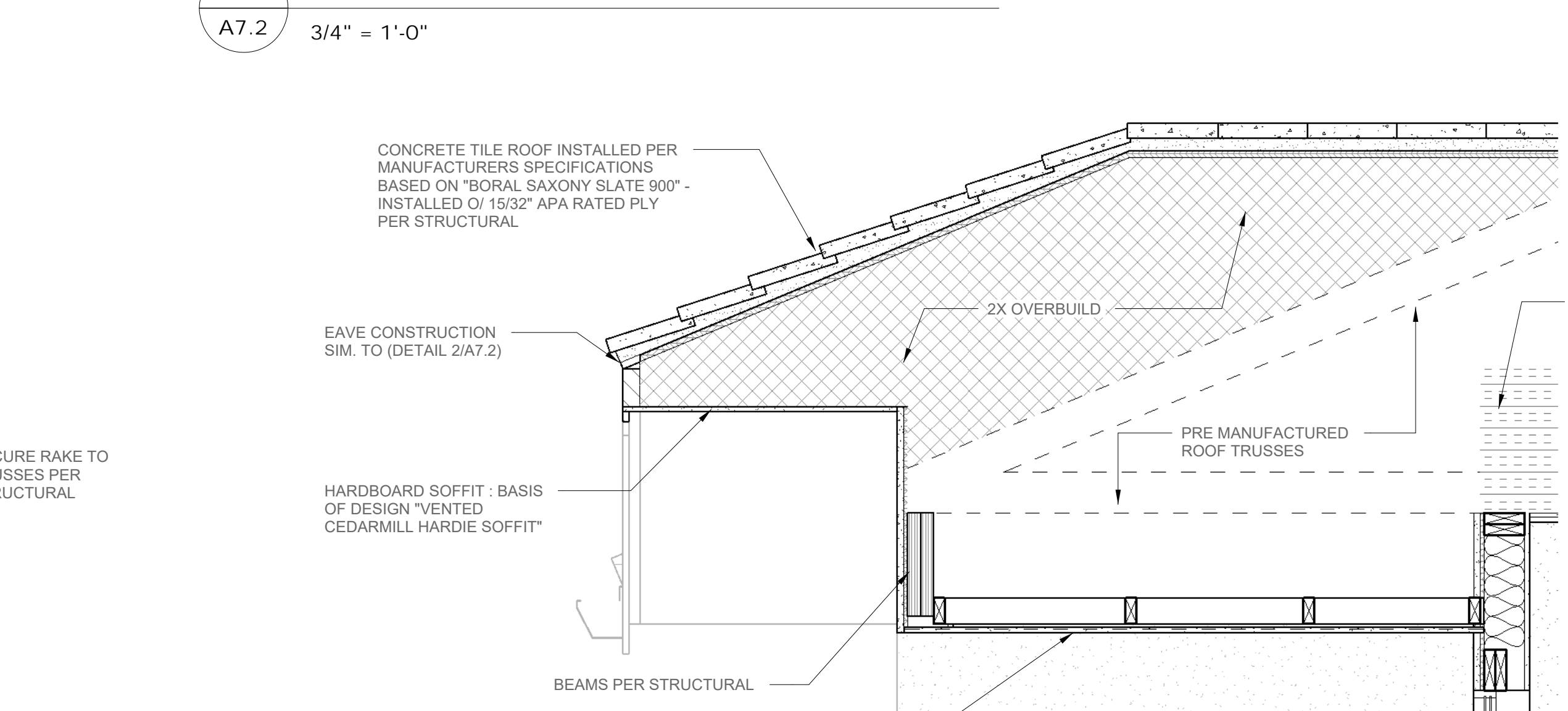
3 ENLARGED PARAPET DETAIL (I.L.)
 A7.2 3/4" = 1'-0"



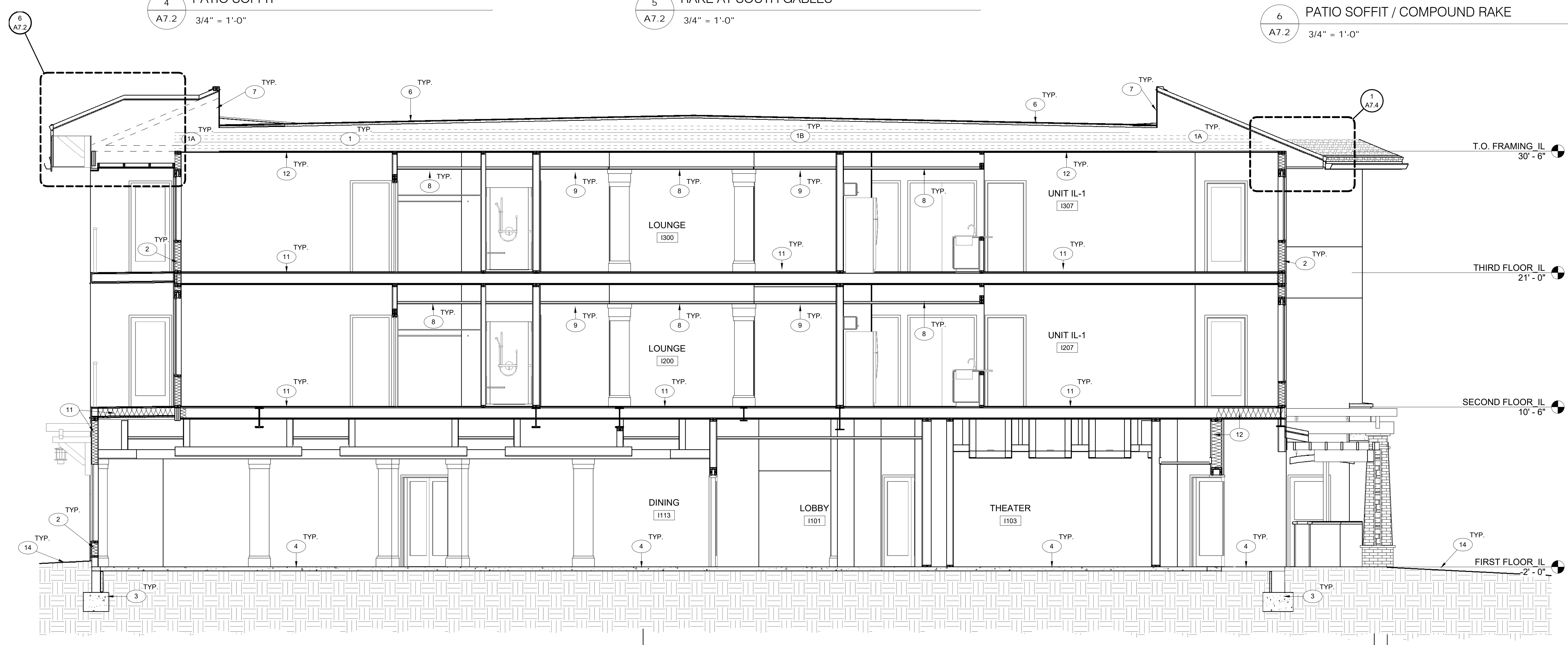
4 PATIO SOFFIT
 A7.2 3/4" = 1'-0"



5 RAKE AT SOUTH GABLES
 A7.2 3/4" = 1'-0"



6 PATIO SOFFIT / COMPOUND RAKE
 A7.2 3/4" = 1'-0"



CC BUILDING SECTION 'CC'
 A7.2 1/4" = 1'-0"

PARAMOUNT PARKS AT THE HIGHLANDS
 2291 N. 15th st.
 Boise, ID 83702

DRAWN	D.J.L.
CHECKED	Checker
DATE	T.B.D.
SCALE	As indicated
PROJECT #	14-142
SHEET TITLE	BUILDING SECTIONS

A7.2